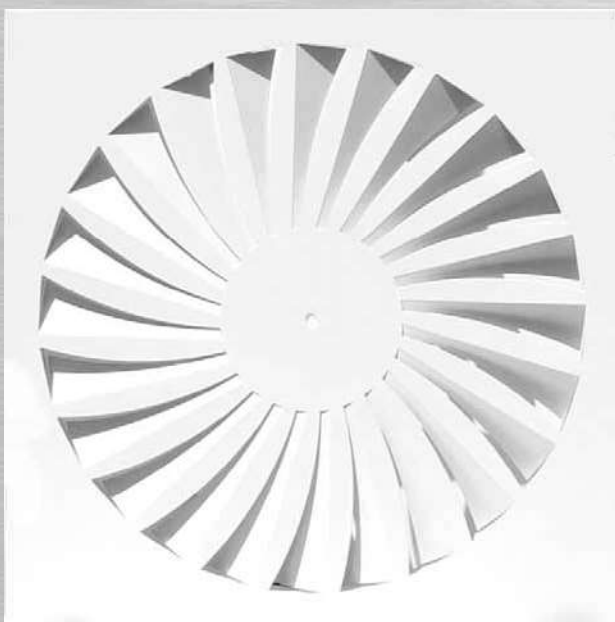
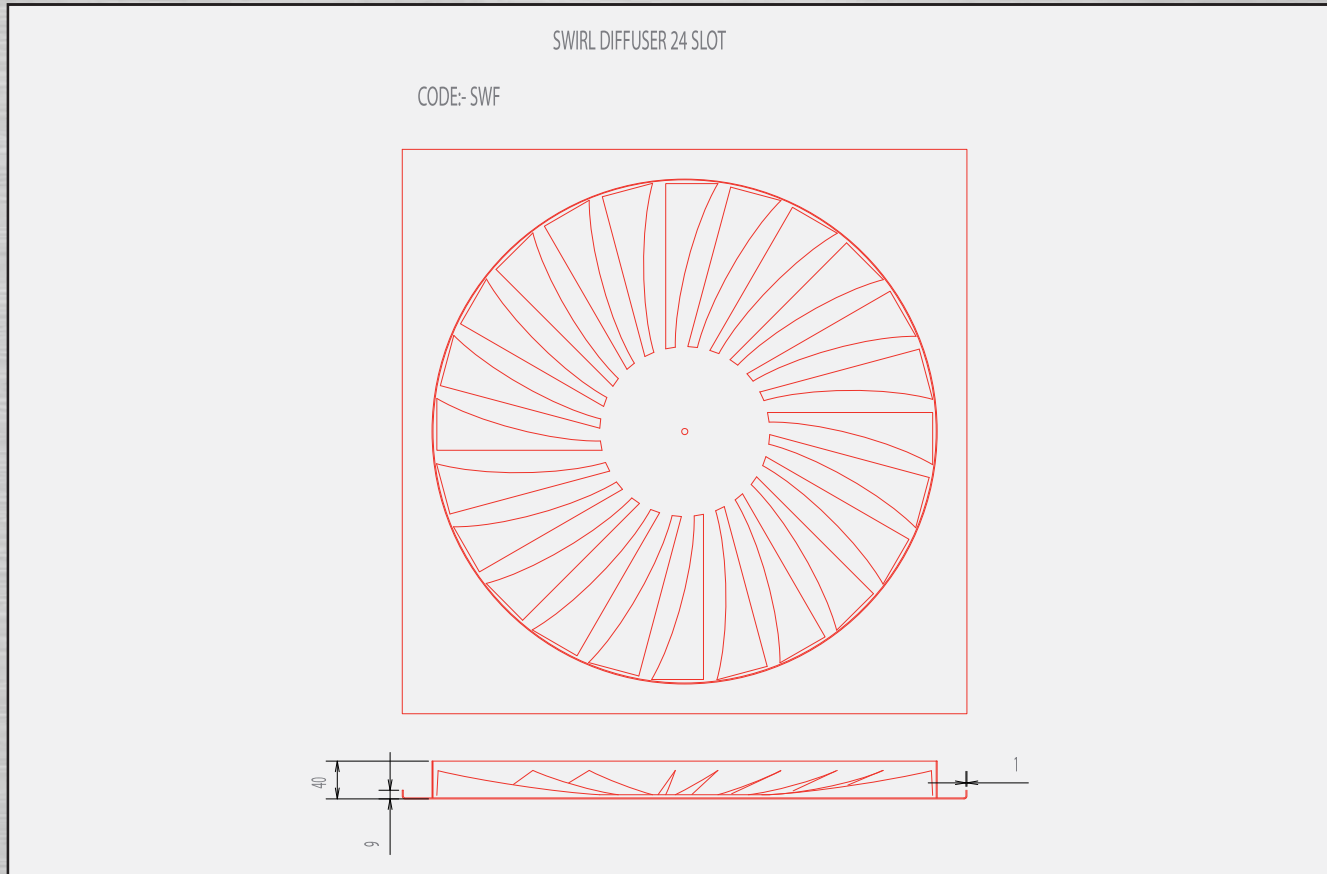


# Swirl Diffuser 24 Slot

CODE: SWF



The SWF Swirl Diffuser has fixed spiral blades that create rotational as well as axial, tangential and radial air movement. This means that it produces a strong horizontal swirl, obtaining high inductivity, to allow the introduced flow to rapidly mix with the ambient air to reduce temperature and also perceived drafts or hot/cold spots.

Velocity is reduced while still maintaining volume and reduced noise and this product is ideally suited to handling large volumes. The SWF maintains high quality air diffusion throughout the space with minimal temperature variation. The Swirl effects ensure good mixing of supply and ambient air.

The SWF is also suitable for return air application due to low pressure drop across the grille.

The standard SWF is made of cold rolled galvanised plate steel powder coated white (RAL9010).

The face plate is 598mm square.