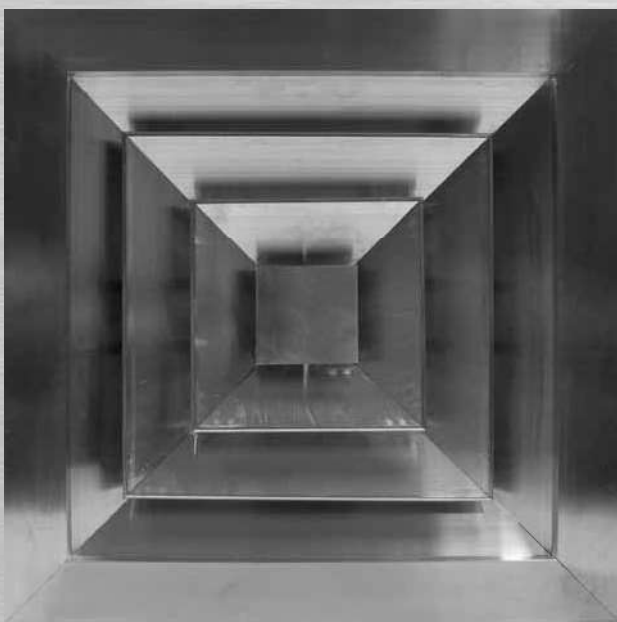
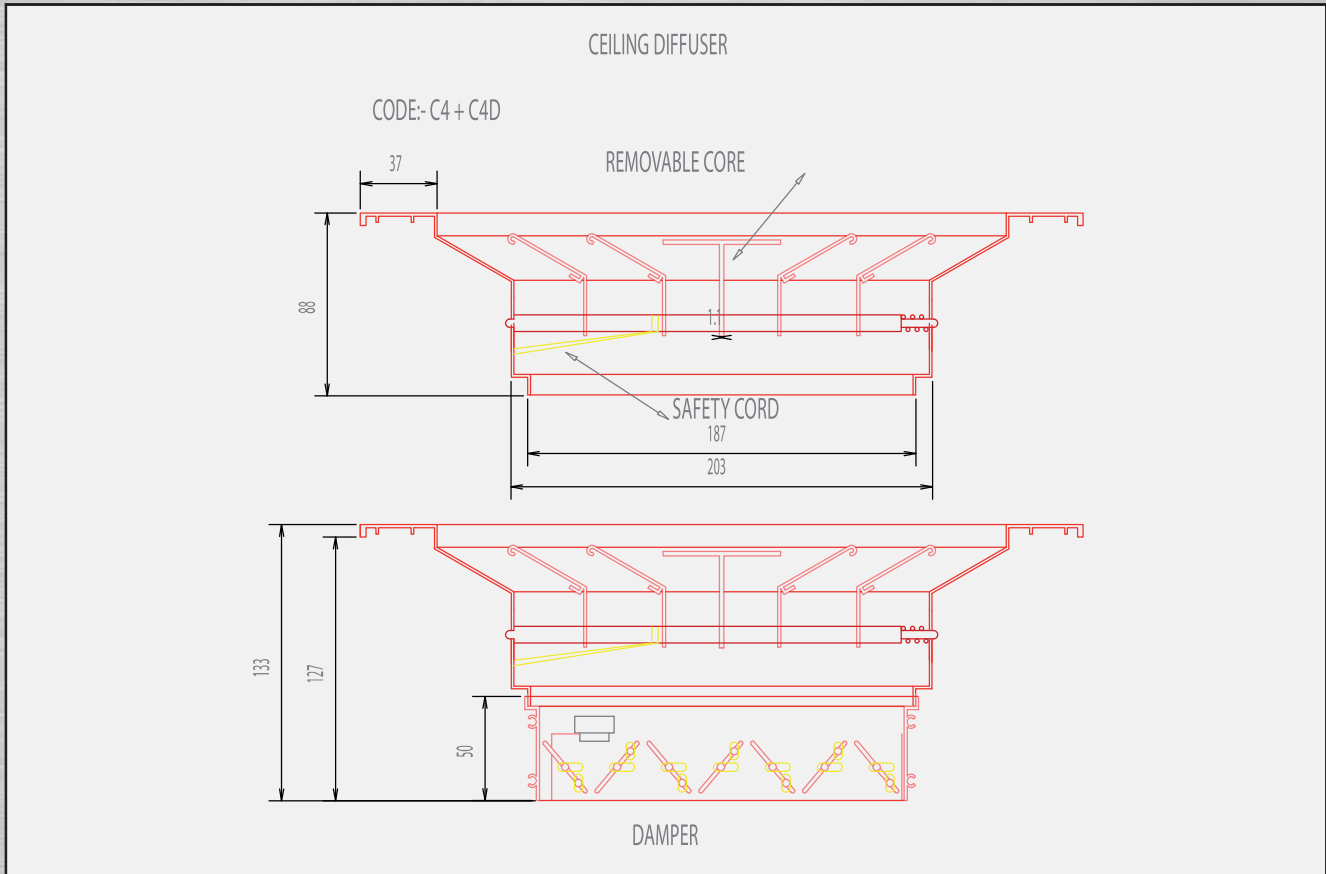


Ceiling Diffuser

CODE: C4 & C4D



TYPE C1, 2, 3, 4

Available with one, two, three or four way throw with removable two position core to provide cross ceiling or downward air distribution.

TYPE C1D, 2, 3, 4

As above but complete with opposed blade damper.